



F7C DATASHEET



KEY FEATURES

COMPACT

Small Mini-ITX case, ideal for use in places with limited space

ALUMINUM

The entire exterior, including the power and ODD eject button is made of aluminum, no usage of steel or plastic.

TIMELESS DESIGN

Minimalist design and the use of high-quality materials characterized this case

FRONT INTERFACE

Two USB 2.0 ports and a SD CardReader are built into the front for easy connectivity

EXPANSION POSSIBILITIES

Despite the small footprint, there is still space for an optical slot-in, one 2.5" and one 3.5" hard drive. A low profile PCI card can also be installed

ANTI VIBRATION HARD DISK

The internal 3.5" HDD is installed on 4 rubber grommets in order to reduce vibration

OPTIMIZED FOR MEDIA CENTER

Dedicated mounting posts and window for optional IR-receiver module

COOLING

An additional 80mm case fan can be used for active cooling

EASY INSTALLATION

The user manual contains clear and precise illustrations which show every step of the installation process



SPECIFICATIONS

Chassis Material	All aluminum, 3.5mm thick body
Available Colours	Silver / Black - brushed finish
Motherboard Compatibility	Mini ITX
HDD Drive Support	1 x 3.5" + 1 x 2.5"
ODD Drive Support	Slot loading drive, left side eject button
Front Ports	2 x USB 2.0, 1 x SD card reader
Cooling Method	1 x 80 x 80 x 25mm fan (not Included)
Dimensions	240 x 250 x 100mm (LxDxH)
Power Supply Support	NanoPSU & AC adapter (not Included)
IR Solution	MCE compatible IR receiver & remote (not Included)
Net Weight	2.5KG

PICTURES

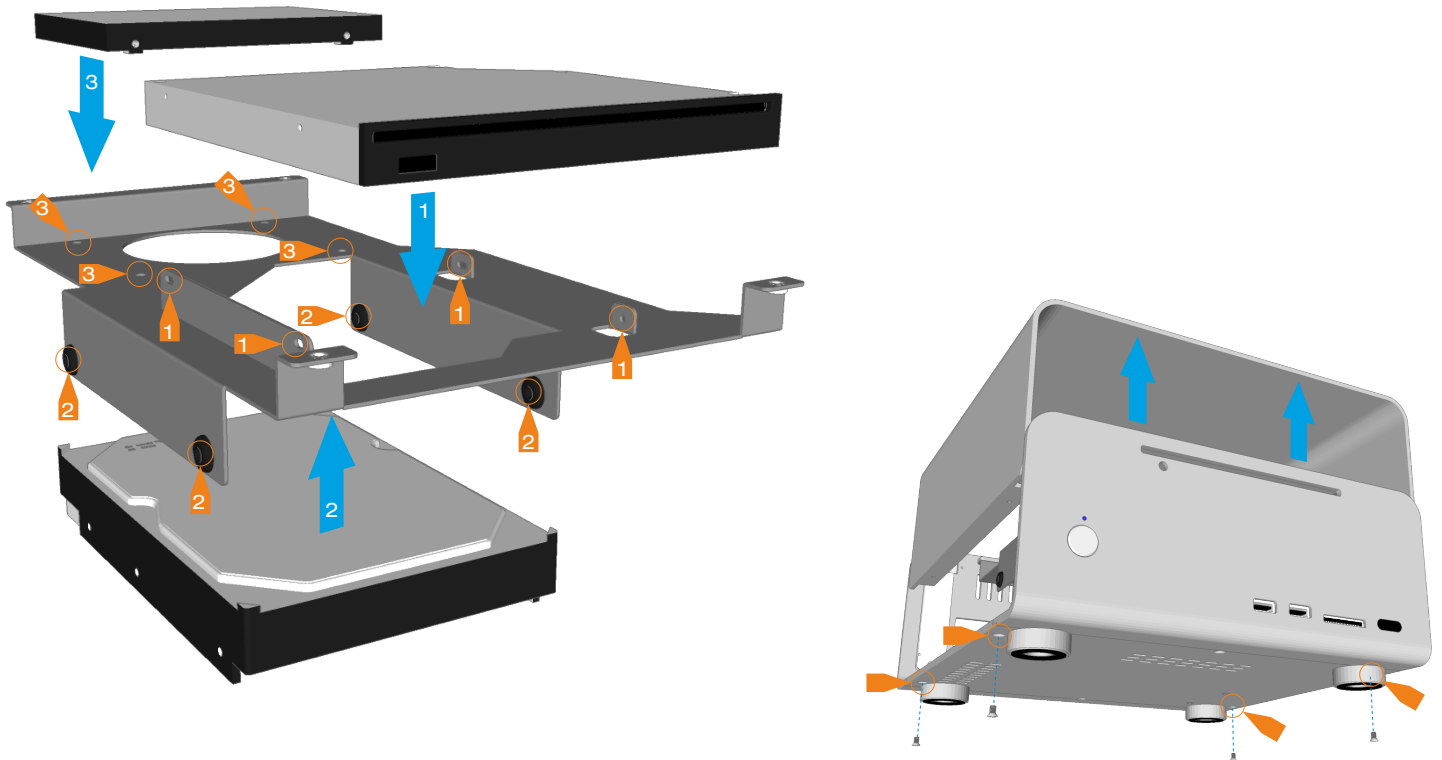


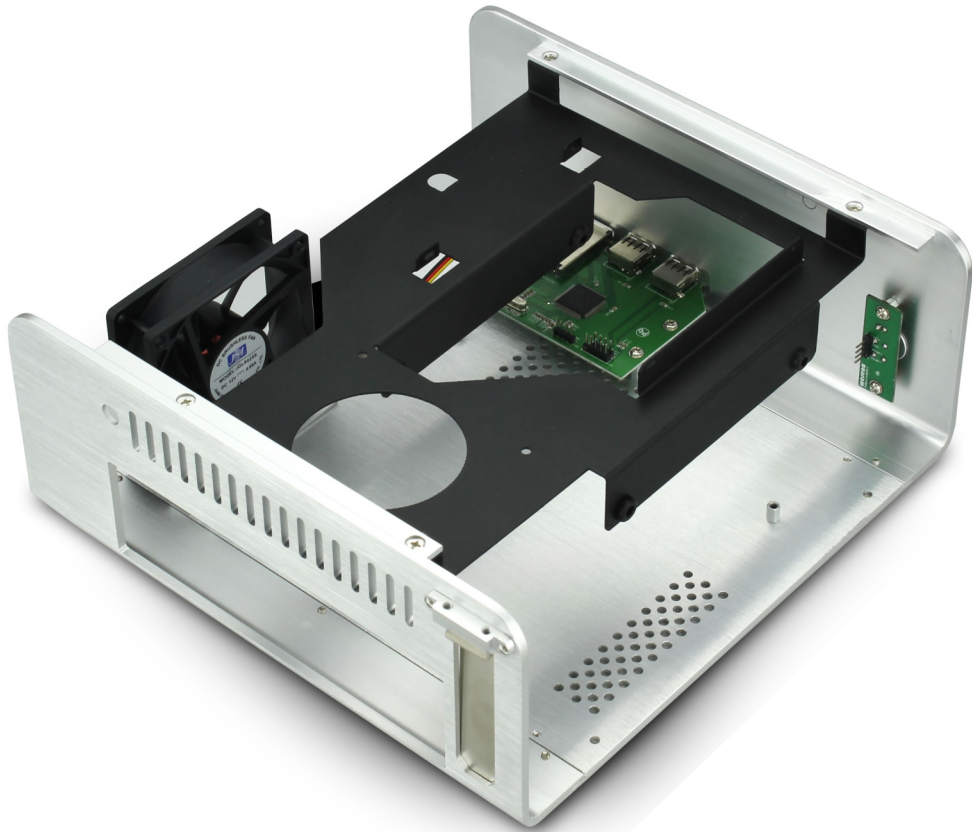
ILLUSTRATION TAKEN FROM THE USER GUIDE, SHOWING TOP PANEL REMOVAL AND DRIVE INSTALLATION



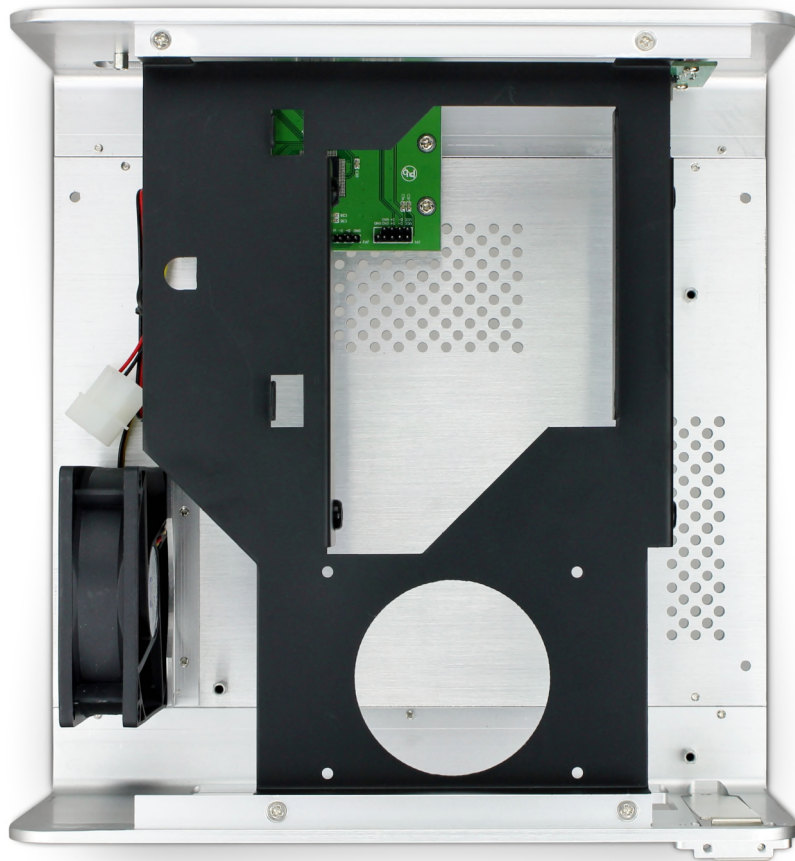
FRONT VIEW



REAR VIEW



INTERNAL ANGLE VIEW



INTERNAL TOP VIEW