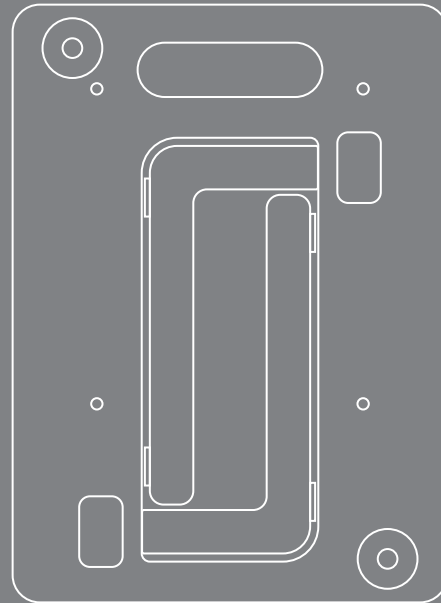


INTRODUCING THE



# BCiPi

openbenchtable

The perfect solution for testing, tinkering, and prototyping with your Pi.



PRODUCT COLLABORATION

# BC1Pi : Introduction



The Raspberry Pi transformed computing with its compact size, affordability, and versatility, making it a favourite among hobbyists and engineers. As creators of the BC1 Open Benchtable, we know a thing or two about what goes into making a well-designed and durable test bench. Now, we're bringing that same philosophy to the Raspberry Pi with our new BC1 Pi - Open Benchtable – the perfect solution for testing, tinkering, and prototyping with your Pi.

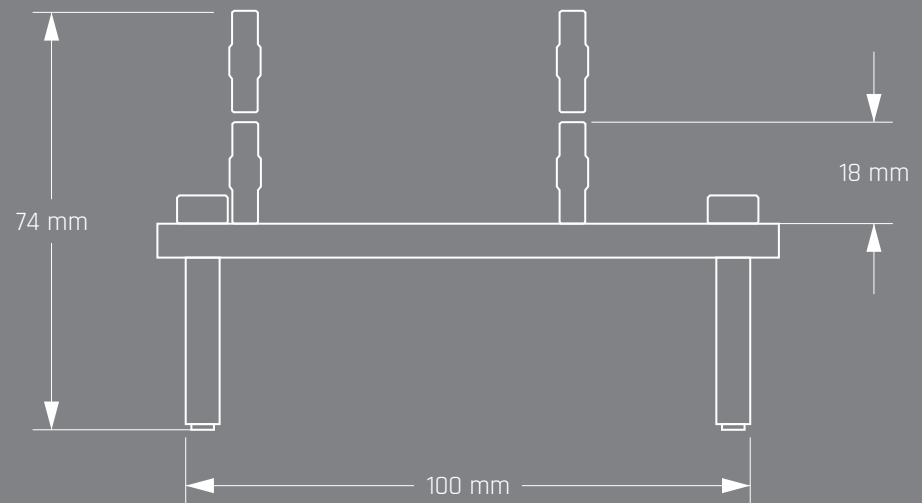
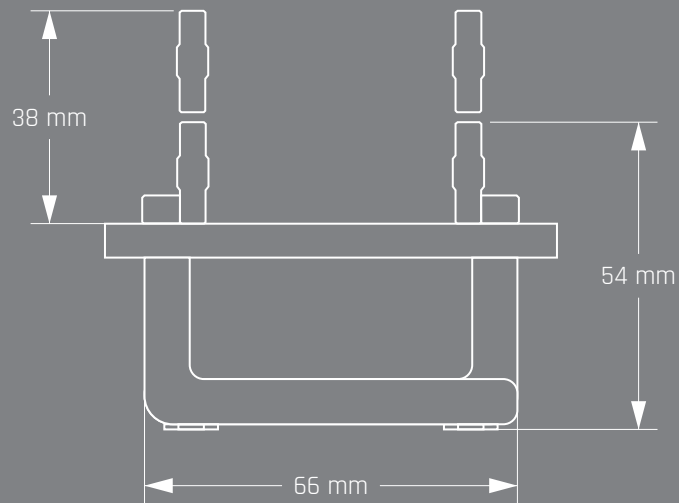
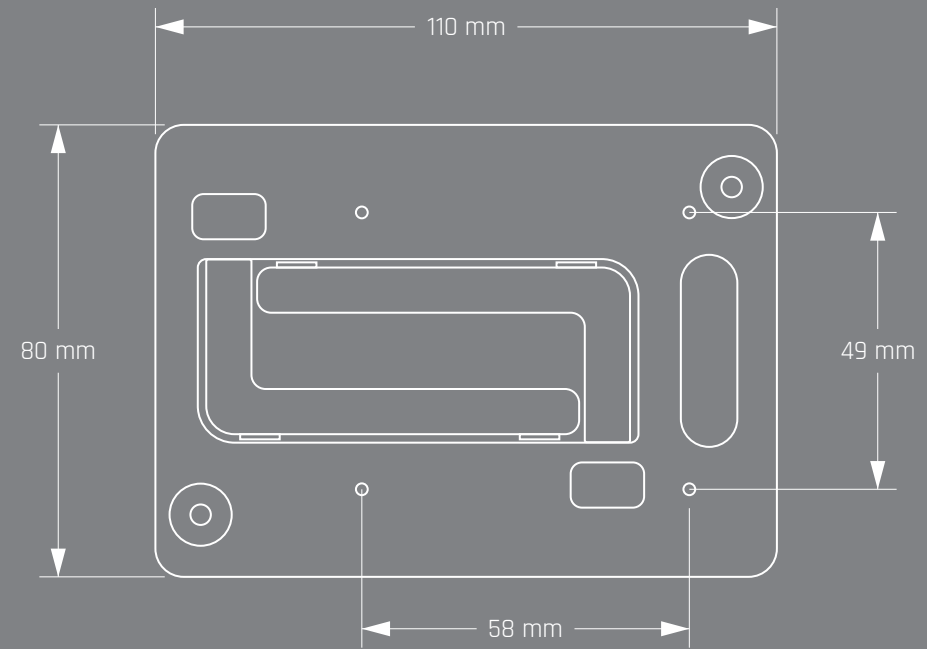


# BCIPi: Specification



## Specification:

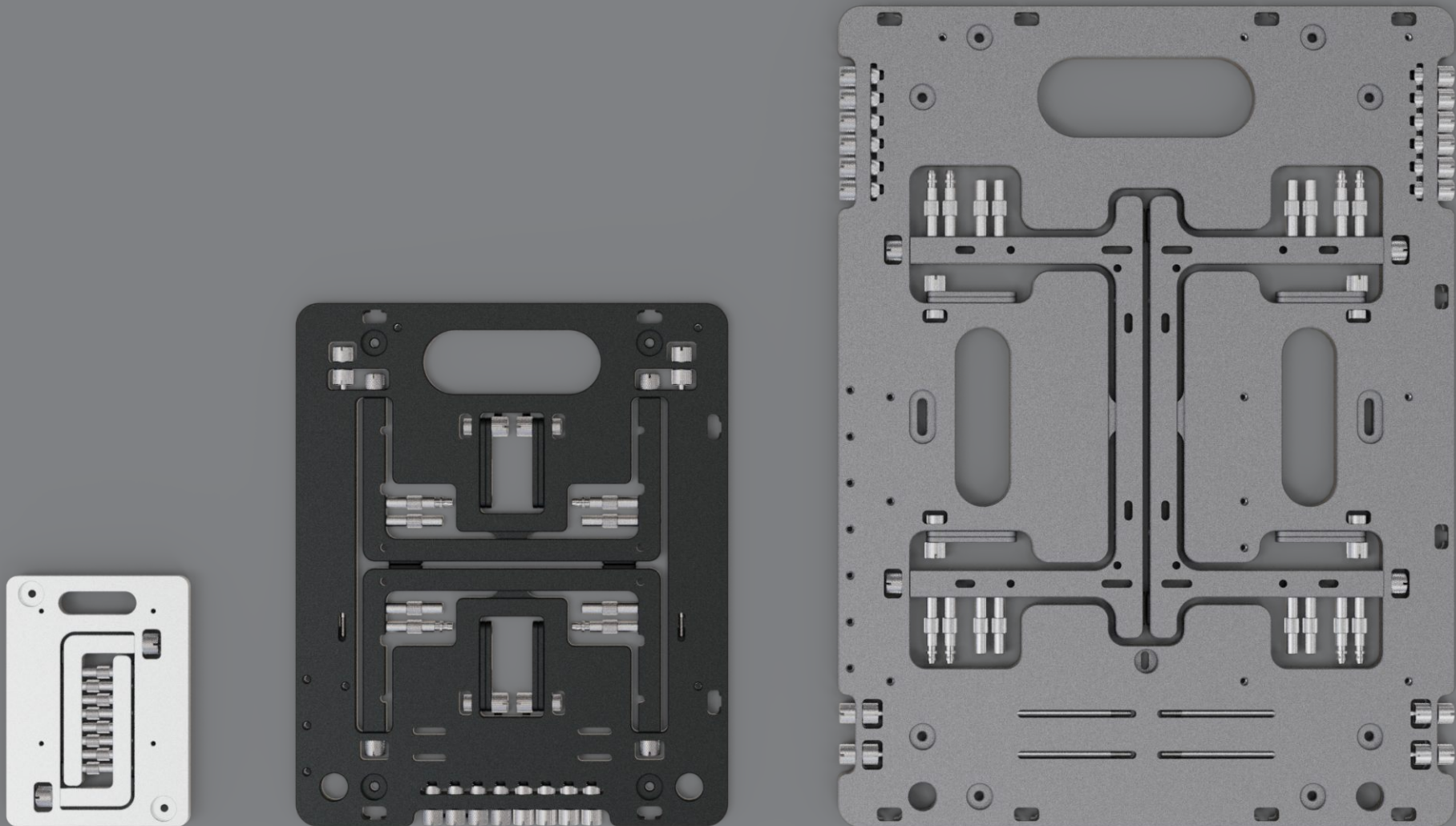
- Packed Size: 110x80x6mm (W x D x H)
- Assembled Height: 36mm, 54mm with standoffs
- Weight: 138g, with Packaging: 202g
- Colour Options: Black & Silver
- Board Compatibility: Pi Gen 1-5, (58x49mm Mounting)
- Materials: AL6063, SS303
- Screws: 2 x M3 Thumbscrews, 8 x M2.5 Standoff



# BC1Pi: Legacy



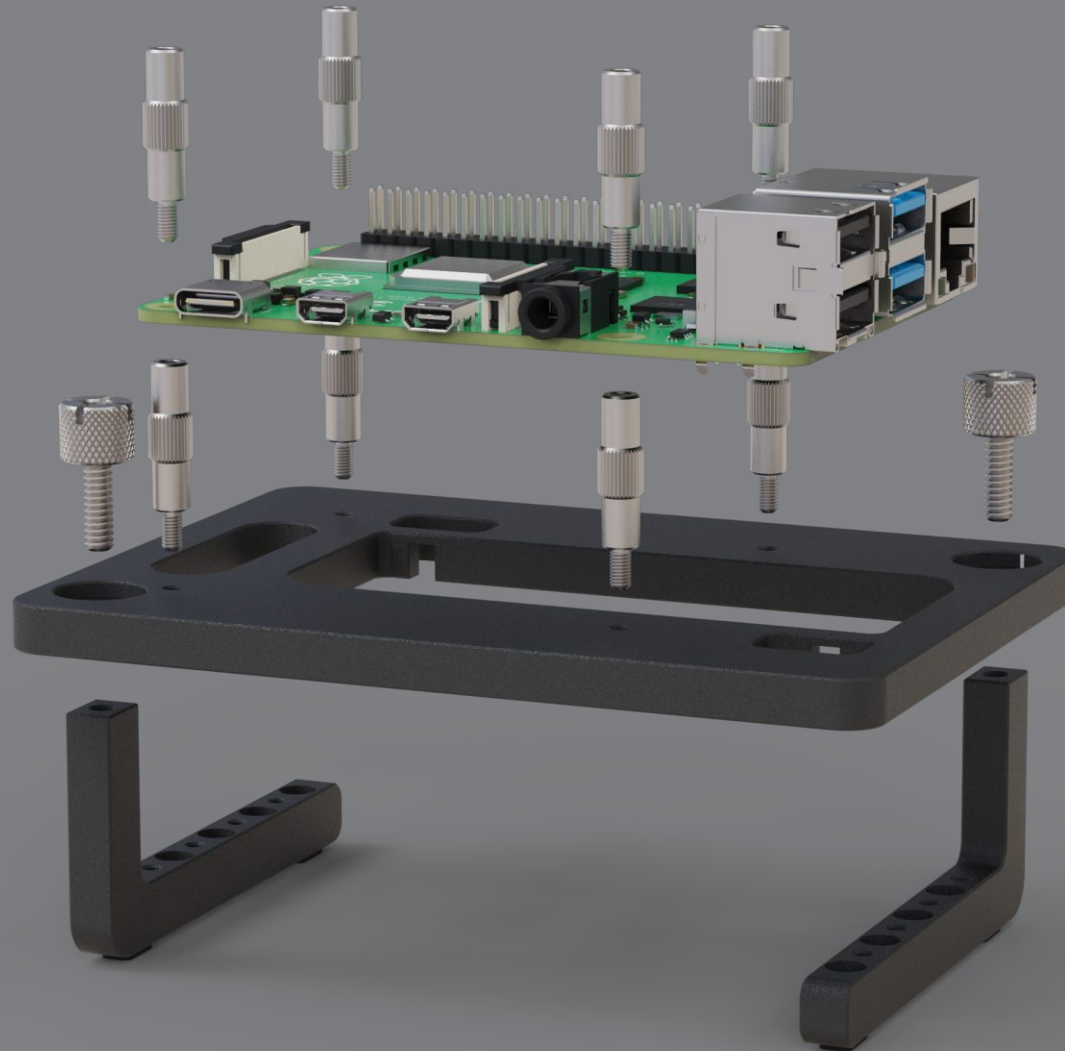
The BC1 Pi follows the legacy of the award-winning BC1 Open Benchtable series, namely the original BC1, and the BC1 Mini. Scaling down for the Pi, the table is 6mm thick and weights just 138g, but dont let that fool you. It is still made of a high-grade, precision machined, anodized aluminium which offers fantastic rigidity while also being extremely lightweight. The thumbscrews are the same high quality stainless steel ones used on the BC1 with small M2.5 standoffs to match the Pi mounting hole diameter.



# BC1Pi: Simple



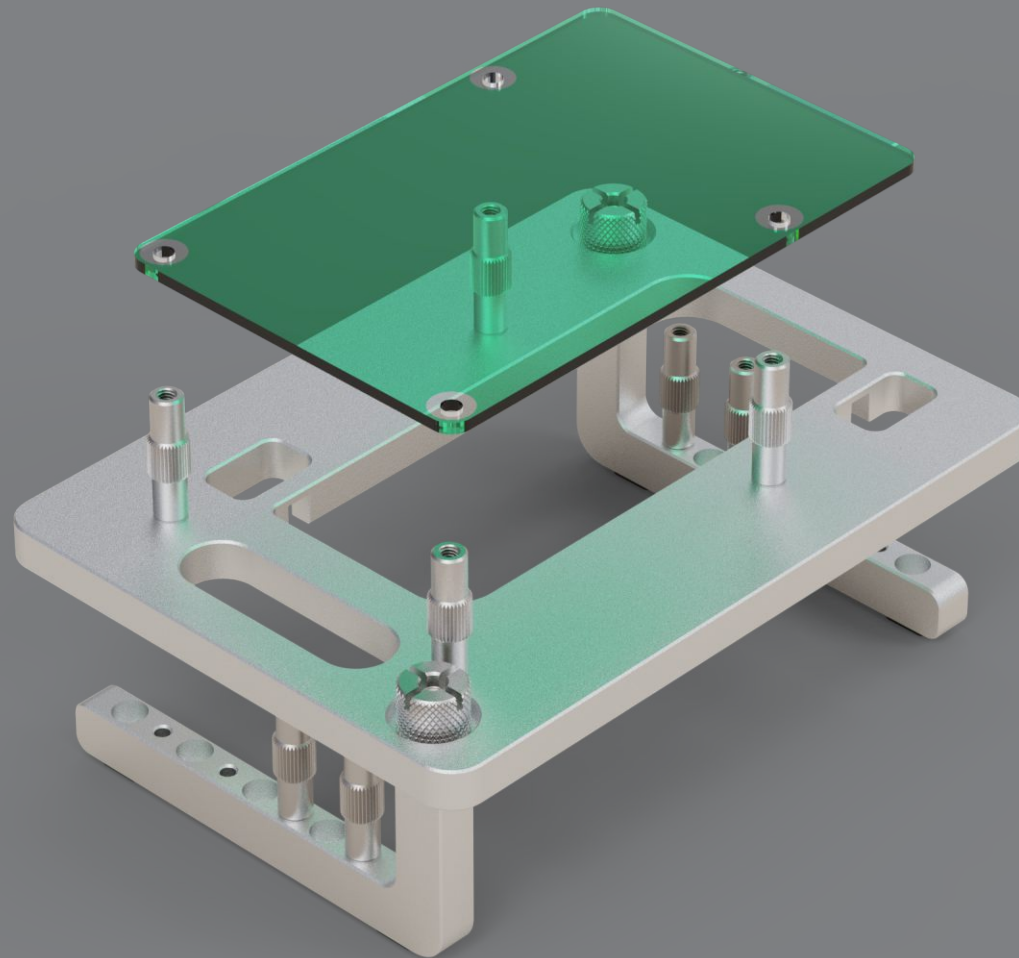
As with all Open Benchtables, the BC1Pi features a toolless design that makes it easy and intuitive to assemble. Once the feet are removed from the storage position, they simply reattach to the body in the standing position. The standoffs can then be removed from their storage location on the feet and used to not only mount and secure the Pi, but also provide a mounting point for an additional level.



# BC1Pi: Compatible



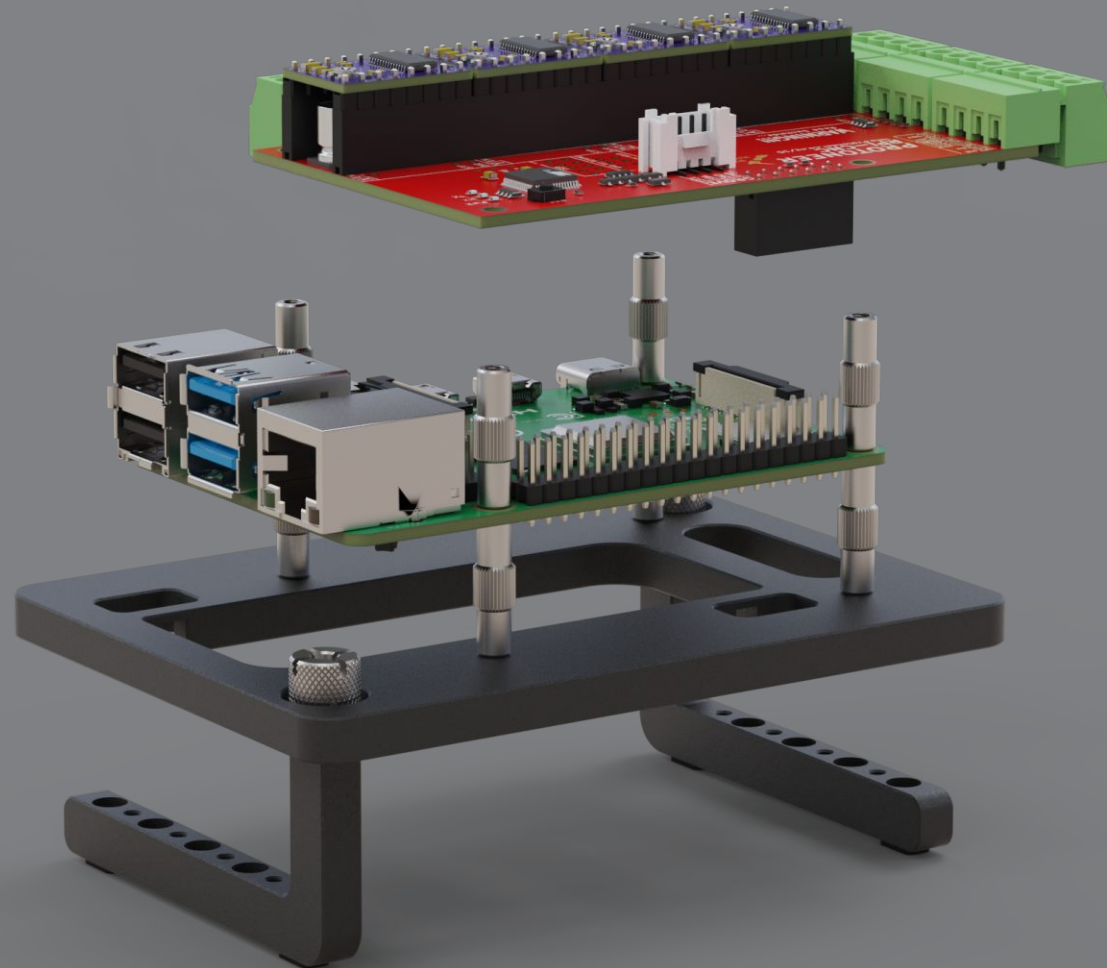
Whilst the BC1Pi was specifically designed for use with the Raspberry Pi, there are other single-board computers with the same form factor that are compatible. So long as the mounting holes align, it does not even need to be a one for one size match. Other boards that are compatible are the Asus Tinker Board, Banana Pi, Orange Pi, RockPi, FriendlyARM Nano Pi and probably a few more that we forgot to mention.



# BCiPi: Expandable



Apart from the open platform being ideal for ease of access to aid with tinkering, it also means you can expand upward (and outwards) to add additional expansion boards or even an additional Raspberry Pi.



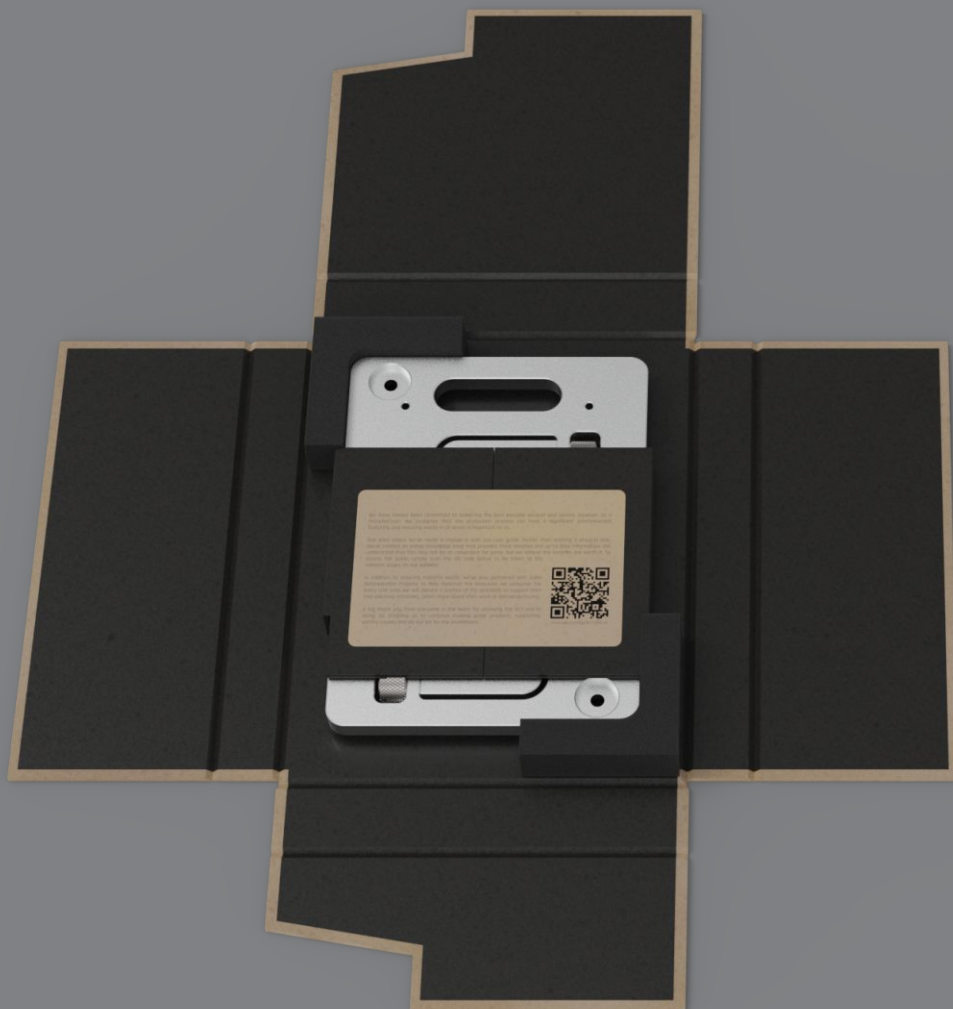
# BCiPi: Ordering, Availability & Pricing



The BC1 Open Benchtable Pi is available in Black and Silver colours with an MSRP of 39.95EUR

Pre-orders start on March 14, 2025, and are expected to start shipping on April 15, 2025. For more details, visit [openbenchtable.com](https://openbenchtable.com) and [streakom.com](https://streakom.com).

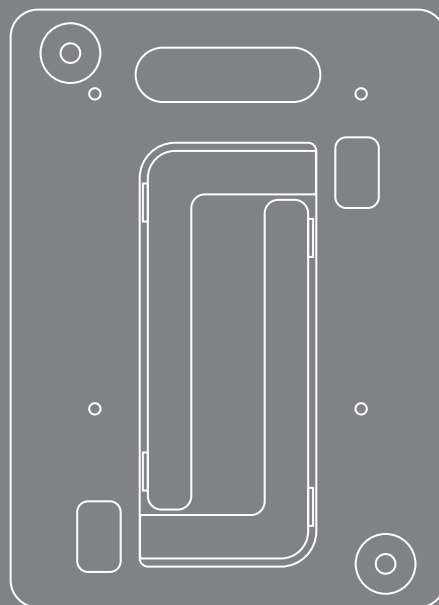
For media inquiries, review samples, or additional information, please contact us via the usual channels.



BC1 Pi Silver  
SKU: ST-BC1S-PI  
EAN: 8718469092109

BC1 Pi Black  
SKU: ST-BC1B-PI  
EAN: 8718469092093





# BCiPi

openbentable

