

IRPB **STREACOM**
USER GUIDE

Page

2.....	Index, Foreword
3.....	Product Overview
4.....	Connection Diagram
5.....	Installation and Setup

Foreword

Thank you for your purchase of this Streacom product, every care has been taken to ensure that it meets with the high standards that we have set for ourselves.

Should you have any questions that are not covered in this user guide, support can be offered via email through our website at www.streacom.com

We sincerely hope that you enjoy using our product!



Specification

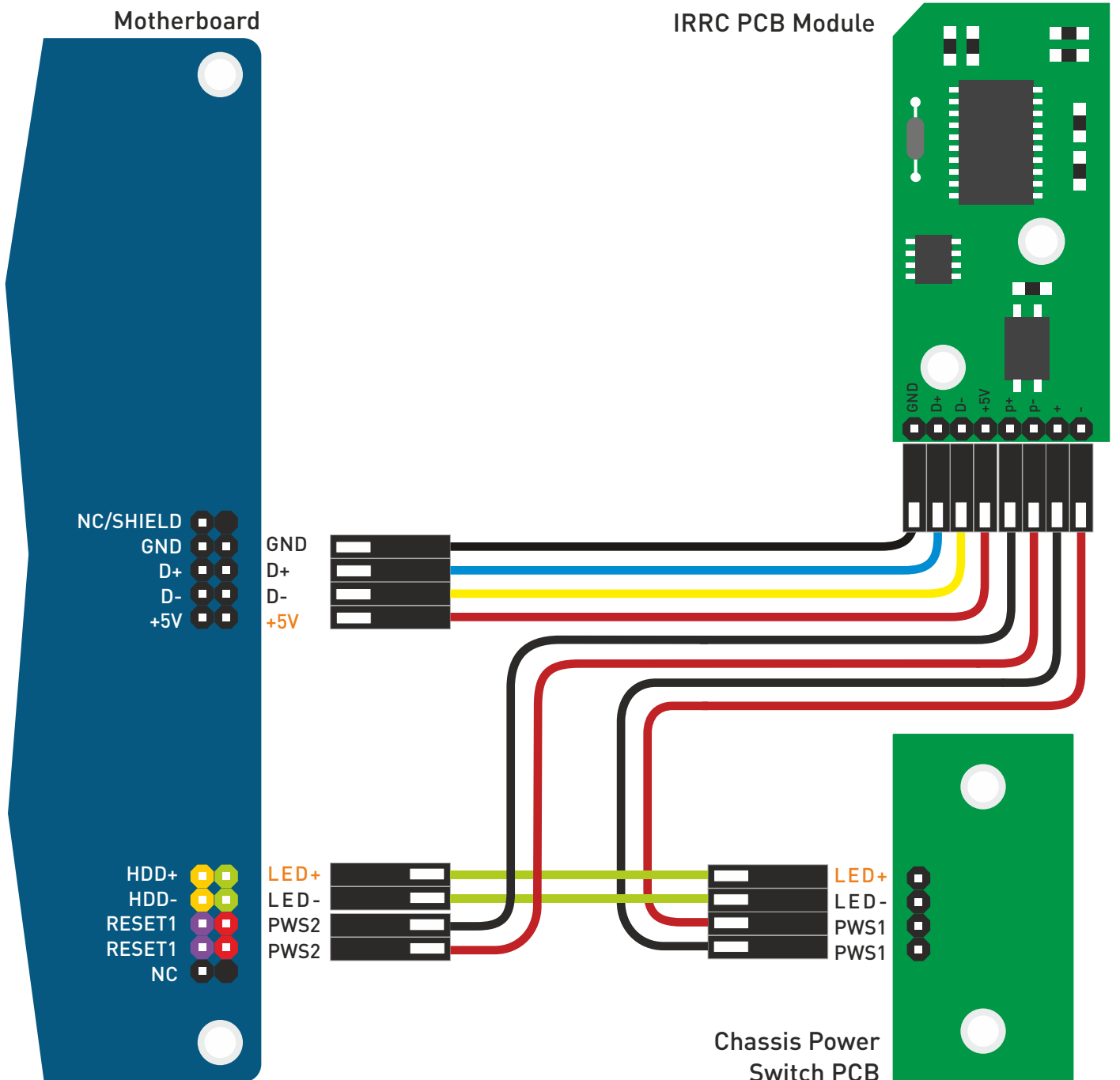
Remote Model	Not Included
OS Compatibility	Windows XP, Vista, & 7, Linux*
Drivers	Windows Plug and Play
IR Range	10 Meters Max
IR Code	RC-6 Format
Weight	38g
Module Connections	USB, Power on/off
Special Features	Power On from Off state**

* Can be used with various Linux based platforms such as XMBC by using eHome remote compatible drivers

** Requires power to USB when off, see motherboard specification for support of this feature

What's Included in the Kit

- 1 x IR Module
- 1 x USB Cable
- 1 x Power Switch Cable



Cable colours shown are for illustrative purposes only, actual colours will vary.

Installation and Setup

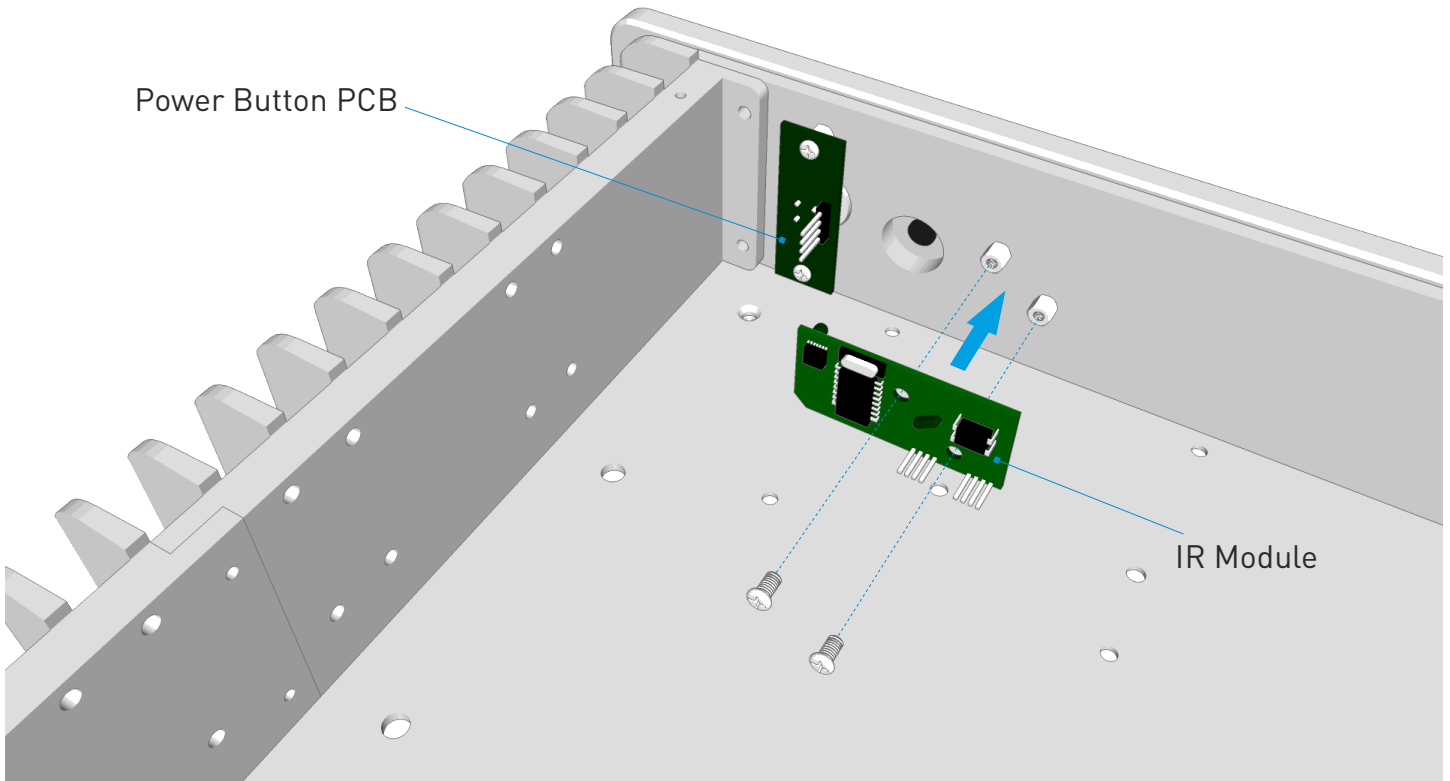
Fit the IR Module to your chassis (currently compatible with all Streacom chassis), with the 2 screws as shown.

Connect the cables as shown in the wiring diagram between the IR Module, Power Switch PCB and Motherboard. Ensure correct orientation when connecting the USB Cable (+5V, D-, D+, GND).

Fit the batteries to the remote control by removing the rear cover and installing the 2 x button cells (ensure correct battery orientation).

Once your OS has been installed, the IR module should automatically be detected and installed (Plug and Play support for Windows Only)

For successful operation, ensure the device is listed in the OS and that there is clear line of sight between the remote and IR window.



STREACOM™